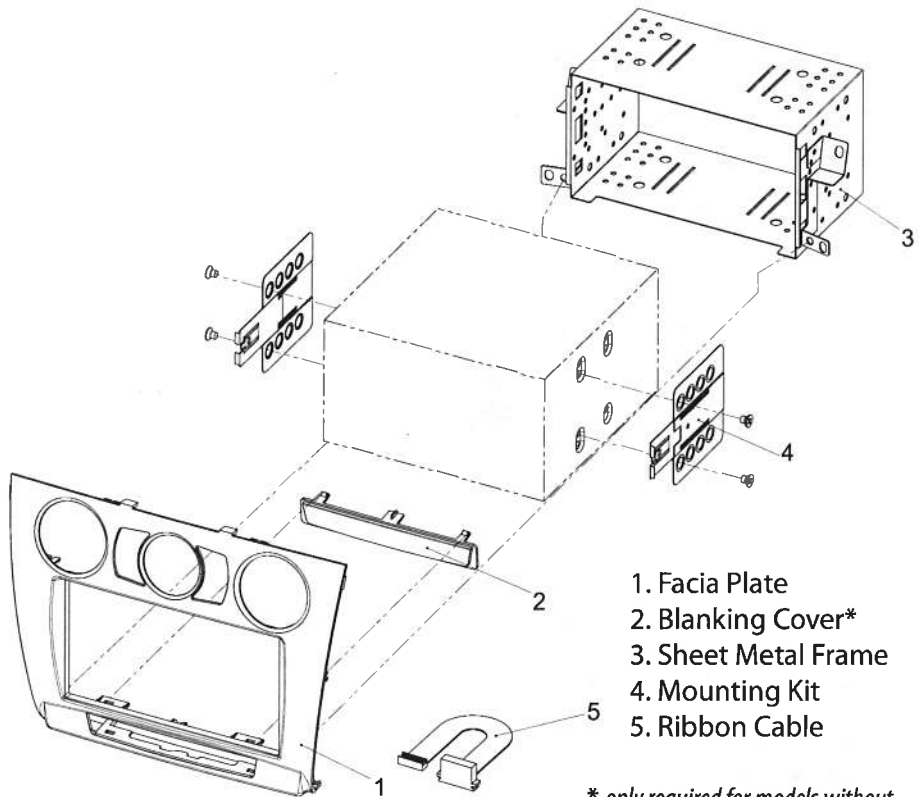




Installation Manual Double DIN Kit

381023-07-1

- **BMW 1 (E87) 03/2007-> (facelift)**
- ***with manual air condition***
- ***without iDrive***



1. Facia Plate
2. Blanking Cover*
3. Sheet Metal Frame
4. Mounting Kit
5. Ribbon Cable

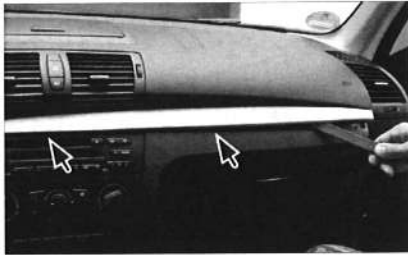
** only required for models without
switch panel under climate control*



1. BMW 1 (E87) 03/2007 (facelift)
with switch bar under the climate control unit



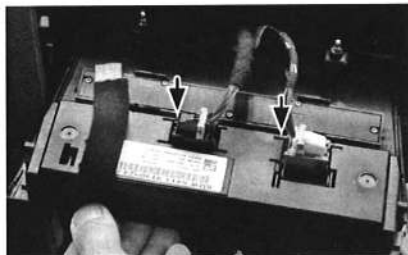
BMW without switch panel under climate control unit (see left)
- skip steps 11 - 14
- see note on page 8



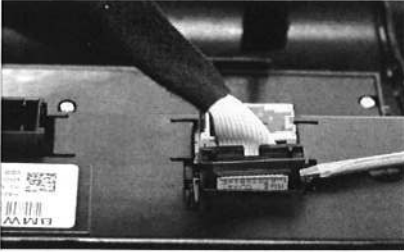
2. Unclip middle panel and remove it carefully



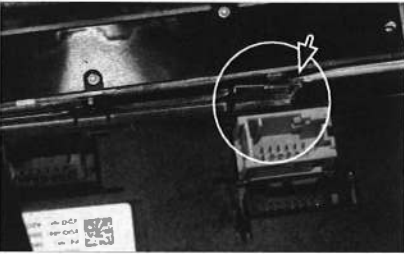
3. Unclip air condition control unit



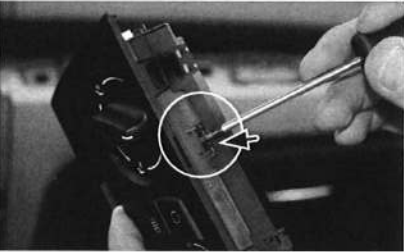
4. Pull out air condition control unit carefully
Remove pulgs (see arrows)



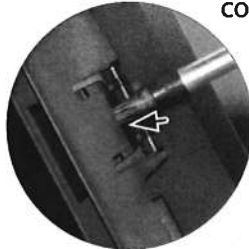
5. Remove plug attached to ribbon cable



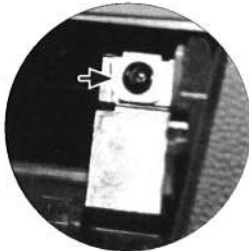
- 6 Unclip and remove switch panel below air condition control unit

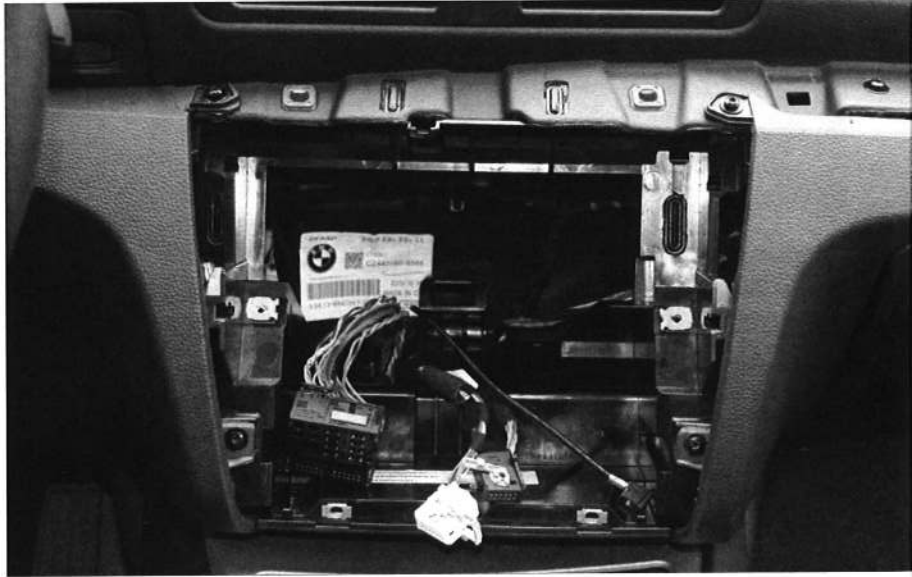
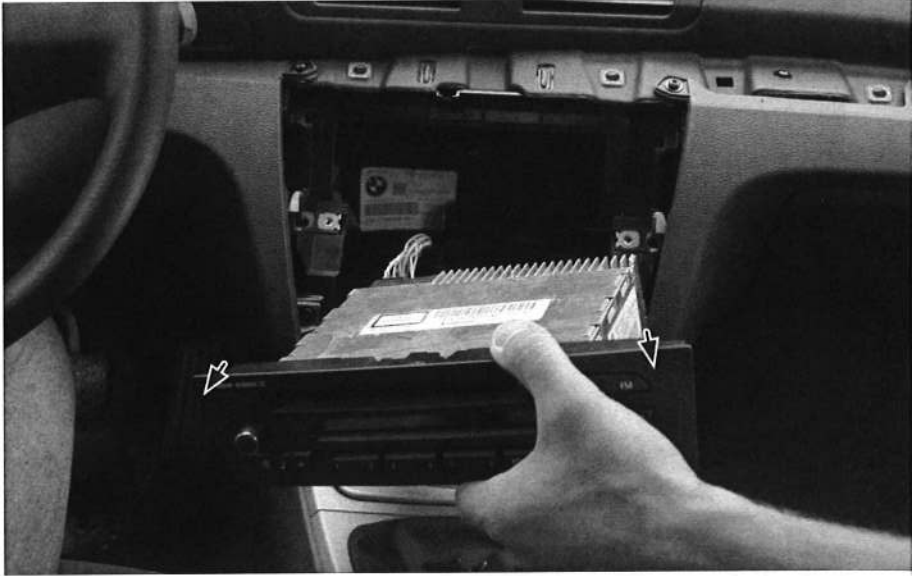


7. Unclip and remove air condition control unit

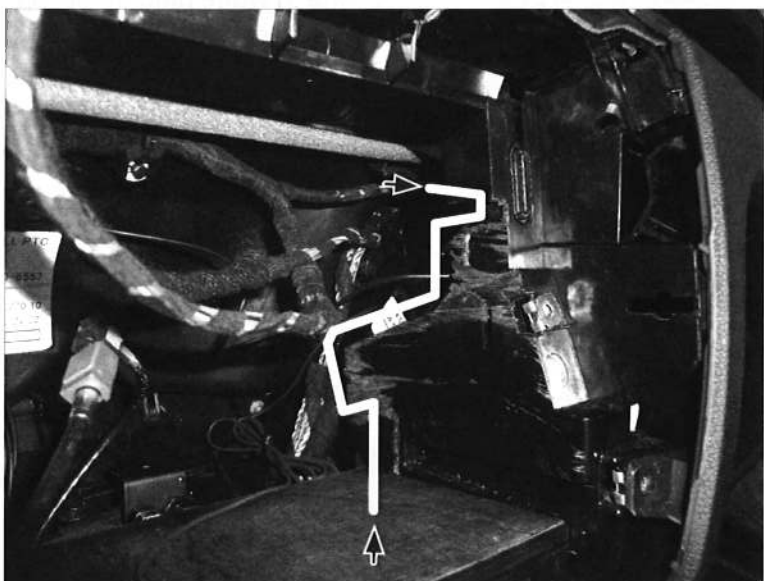


8. Remove screws below OEM head unit (see arrows)

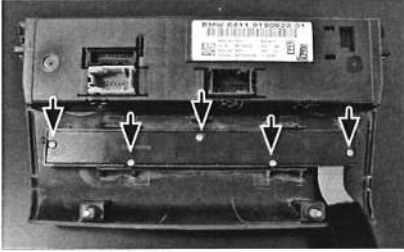




9. Remove out OEM head unit

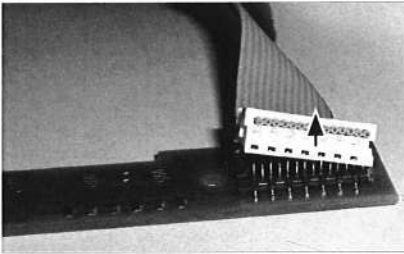


10. Cut away plastic to clear space for Double DIN head unit (see sample images)

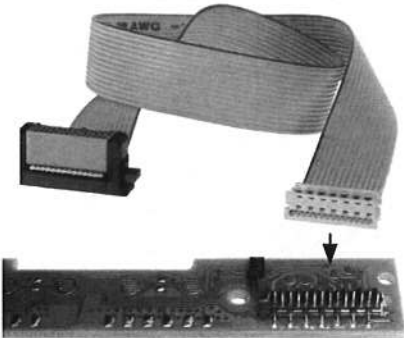


11. Remove 5 screws from switch panel (see arrows)

Take out PCB

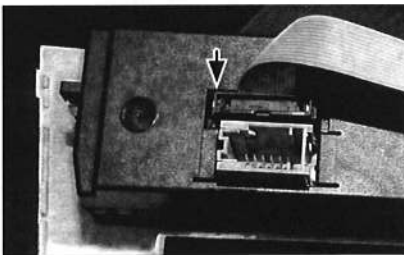


12. Remove plug attached to ribbon cable from PCB

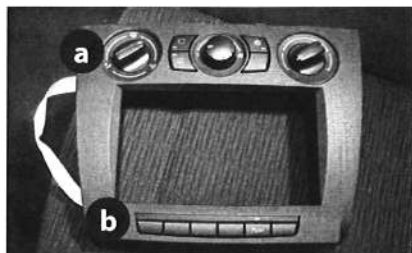


13. Attach white plug of replacement ribbon cable to PCB

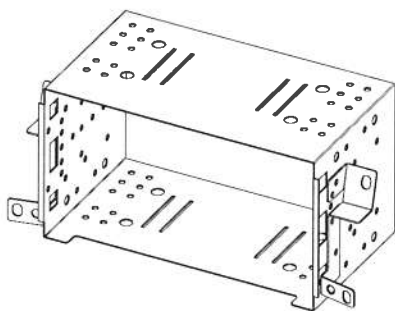
Reinstall PCB to switch panel



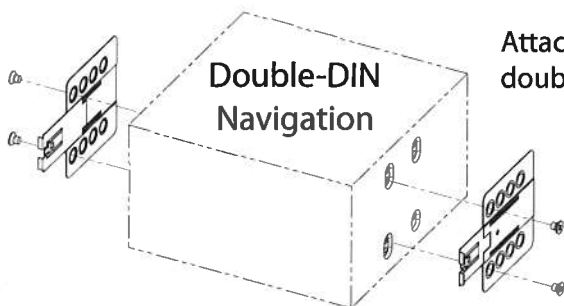
14. Attach black plug of replacement ribbon cable to air condition control unit



15. Attach air condition control unit (a) and switch bar (b) to replacement facia plate



16. Set metal frame into dashboard and fix it with screws



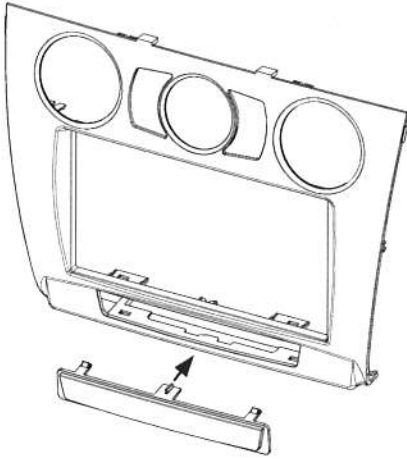
Attach mounting brackets to double DIN navigation



17. Connect all required circuit points

Push double DIN navigation into dash board - until it snaps in

Reinstall everything in reverse order to finish installation



Note:

Only for BMW without switch panel under climate control unit:

Attach blanking cover to fascia plate (see arrow)